



## No Rear Access Pack Installation Instructions

Step 1: Drill 2 x 4mm holes first, using the template provided.

Step 2: Drill the 50mm diameter hole second.

Step 3: Fold the plate enough so it can be feed through the 50mm hole.

Step 4: Using the adhesive tape stick the plate to the inside of the mounting surface, ensure screw holes are lined up.

Step 5: Enlarge the two screw holes on the flange of the Tallon Socket to 4mm.

Step 5: Insert the Tallon Socket into the 50mm hole and apply faceplate.

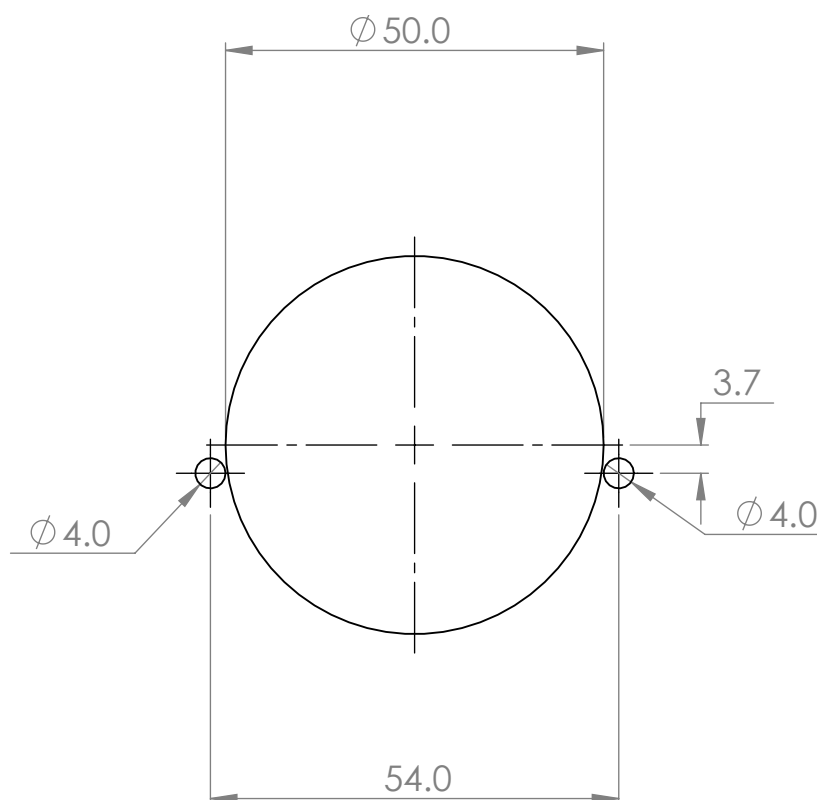
Step 6: Finally install the 2 x 4mm screws to lock everything together.



Warning - The No Rear Access Pack is designed only for lightweight applications.

For detailed instructions visit our Youtube channel TallonTV

## No Rear Access Template



NB: Ensure document is printed to scale, otherwise measurements may not be accurate.