



# Instructions for Installation and use of Tallon Elite Socket

## Need Help?

- Read your Instructions for Installation and Use of Tallon Products first
- If you have read your instructions and still need assistance contact your Tallon Dealer
- If your Tallon Dealer is unable to assist you, go to [www.tallonsystems.com](http://www.tallonsystems.com) and click on the 'support' tab

Thank you for purchasing Tallon Socket products.

[www.tallonsystems.com](http://www.tallonsystems.com)

## Subscribe to TallonTV on Youtube to keep up to date with the latest Tallon news and products

To successfully install the Tallon™ Elite Socket into your boat you will require.

- A Tallon™ Elite Socket Pack that comprises:
  - Tallon™ Elite Socket
  - Locking Nut
  - Tallon™ Elite Faceplate
  - Tallon™ Hatch Grommets
  - Faceplate Screws
  - Square head key
- 50 mm or 2" hole cutter bit & 30 mm or 1 3/16" hole cutter bit
- 3.5 mm or .14" drill bit
- Electric drill
- Silicon marine sealant, or similar product (optional)<sup>1</sup>

<sup>1</sup>Sealant is not generally required in installing the Tallon™ Socket but in certain circumstances it may be desirable to use an appropriate marine sealant

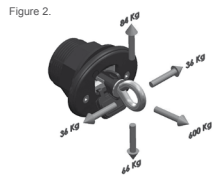
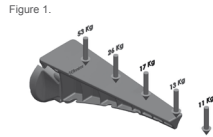
## Step 1: Decide where to put the Tallon™ Socket

- 1.1. Deciding on the locations for your Tallon™ Socket is the first and most important step in installing the Tallon™ Socket.

Tallon™ recommends that Sockets are installed 300 mm (11.81") apart at their centres to accommodate the full range of Tallon™ accessories.

**OVERLOADING can cause serious injury or equipment damage.**

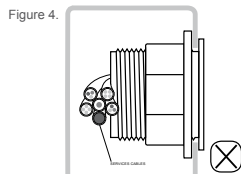
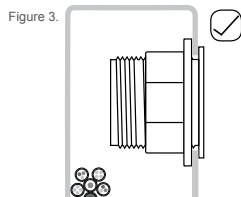
- 1. DO NOT overload the Tallon™ Socket Unit.**
- 2. The Tallon™ Socket is designed to bear the maximum loads shown in figures 1 and 2, subject to the Tallon™ Socket being mounted onto a suitable surface in accordance with our instructions.**



## Step 2: Checking For Services

- 2.1. Check that no services (power cables, fluid lines, steering cables etc.) are behind or will be affected at the hole's drill point.
- 2.2. If you do find services at the hole's drill point, you should either decide on an alternative drill point or re-position the services whilst you drill and install the Tallon™ Socket.
- 2.3. After installation, the services can be repositioned as the correctly installed Tallon™ Socket should not interfere with their functioning.

**Always consult your boat dealer if you are unsure as to the location of your boat's services or are unsure whether the location you have chosen for your Tallon™ Socket is appropriate. Services should not be allowed to be strained over or abrade against installed Tallon™ Socket!**



## Step 3: Drill the Tallon™ Socket Holes

- 3.1. Once you have decided where to locate your Tallon™ Socket, the next stage is to drill the holes in the boat lining.

**This is an important step and you need to ensure you are certain about the location!**

- 3.2. Once you are satisfied with the location you have chosen for your Tallon™ Socket, drill the hole using the template on the backside of these instructions.

**Remember: measure twice drill once...**

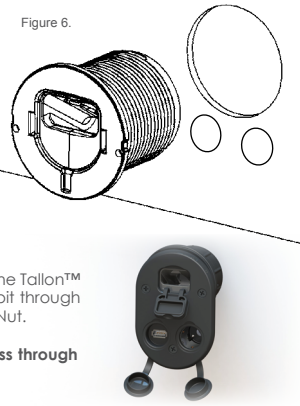
## Step 4: Install the Tallon™ Socket

- 4.1. Once the hole has been drilled, remove any alloy or fibreglass shavings or burrs.
- 4.2. Place the Tallon™ Socket into the 50 mm hole. Reach behind the hole and carefully screw the locking nut on to the Socket. The vertical slot is to the bottom and the screw holes are level.

**Be careful not to over-tighten the Tallon™ Socket to the locking nut - installation of the screws in Step 5 will be sufficient to prevent rotation of the unit. Over-tightening of the unit may cause it to malfunction.**

- 4.3. Through the 2 screw holes located on the outside of the Tallon™ Socket, drill a pilot hole with the 3.5 mm or .14" drill bit through boat lining and the Tallon™ Socket into the Locking Nut.

**The depth of the pilot hole should be sufficient to pass through the boat lining and the Locking Nut only.**



## Step 5: Attaching Elite Socket Faceplate

- 5.1. Ensure 3 grommets are inserted into the appropriate apertures on the faceplate, and place the faceplate against the Tallon Socket and mounting surface. The two data and/or power ports should insert cleanly into the two lower holes underneath the Tallon Socket.
- 5.2. Attach the faceplate using 3 faceplate screws provided, ensuring grommets are secured correctly in place.

**Tallon recommends any termination of power or data ports in behind the Faceplate be completed by a professional.**

**1. Be careful not to over-tighten the screws as the locking nut installed in Step 4 will secure the Tallon™ Socket against the boat lining. Over-tightening of the screws may cause the product to malfunction or break!**

**2. Do not clean the faceplate with any solvent or chemical cleaner as this may damage the faceplate.**

## Special Instructions: Tallon™ Powered Socket

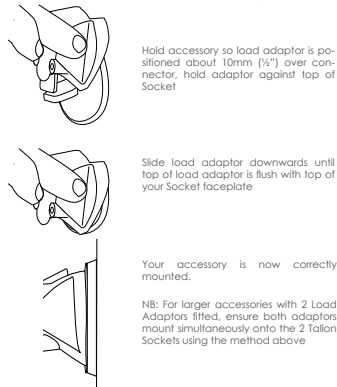
This Tallon Elite Socket comes with a 12V Cigarette style socket and a USB. The 12V Socket can be wired back to the vessels 12V DC supply and is rated to 10Amps, but will need to be fused separately.

| Wire Colour | Connect To     |
|-------------|----------------|
| Black       | Negative (-ve) |
| Red         | Signal (+ve)   |

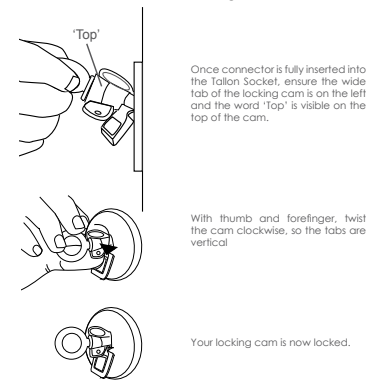
Do not connect the USB directly to 12V supply! The best way to connect the USB, is to plug it into some existing electronics such as stereo systems on board, if they have a spare USB port available (a std USB extension cable may be required, maxm length of 15ft). This will not only supply power, but will also allow for data connectivity for things like playing music directly from electronics mounted to the Tallon Elite Socket. If you do not have such spare USB ports available on board, then a step down transformer is required for the USB, as it should be rated at 5V and 2Amp. You can source such an adaptor on the Tallon website, search USB Power Adaptor.

**Always consult an electrician or service agent if you are unsure about the wiring of this product.**

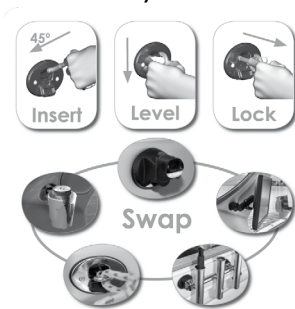
### How to use Load Adaptor



### How to use Locking Cam



### Accessory Installation

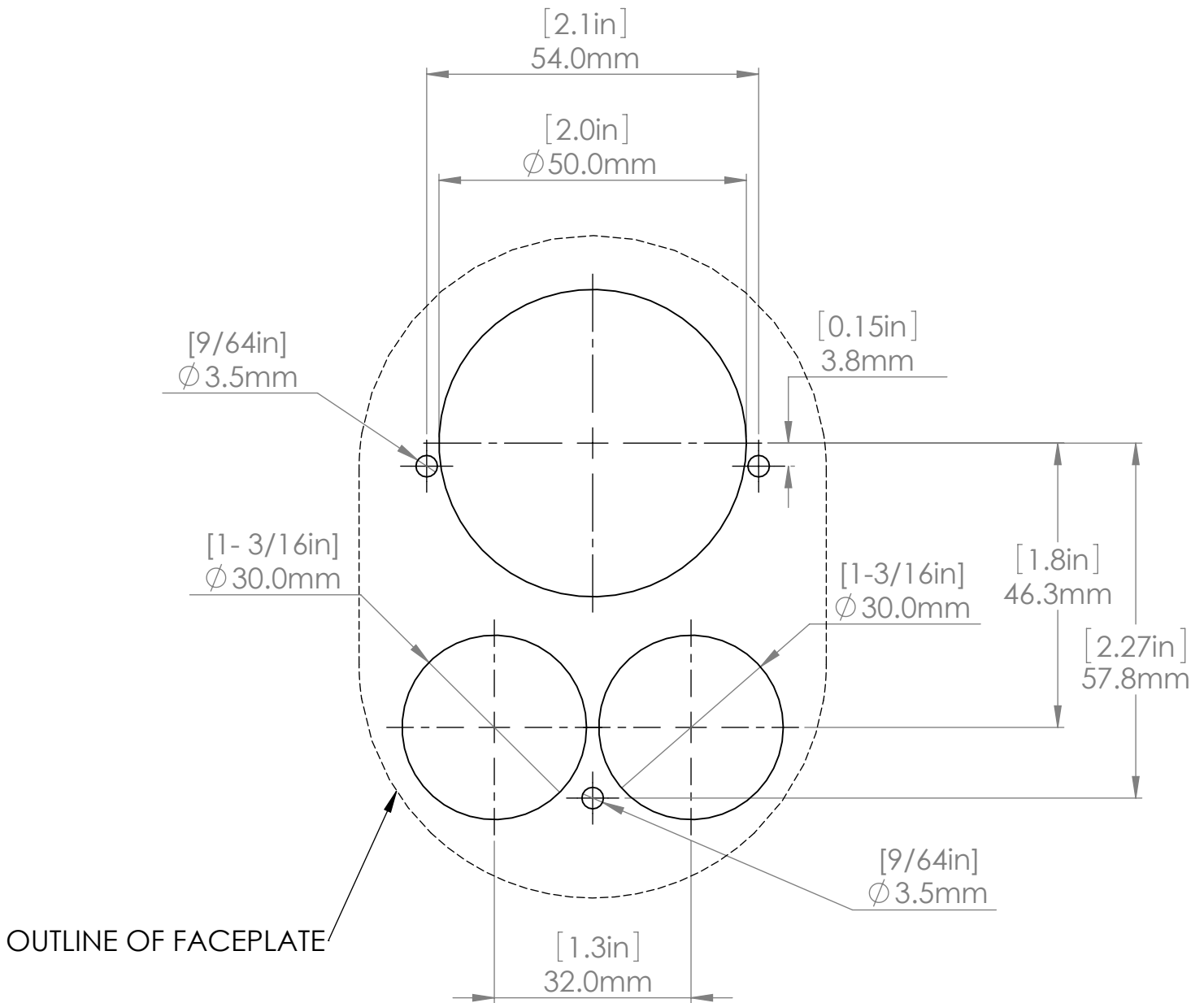


Patents Pending \*  
see [www.tallonsystems.com](http://www.tallonsystems.com)  
for details





# TALLON ELITE FACEPLATE HOLE TEMPLATE



NB: Ensure document is printed to scale, otherwise measurements may not be accurate.