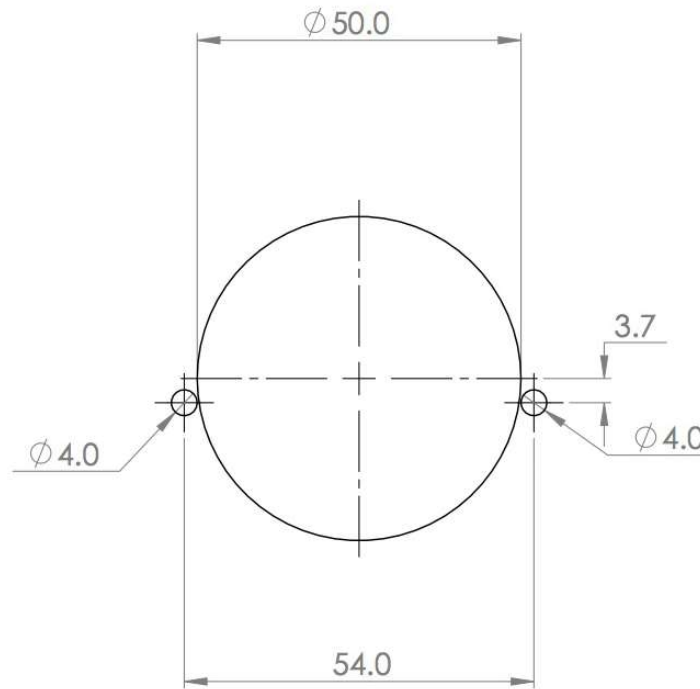


No Rear Access Backplate Hole Template



1. Drill 2 x 4.0mm diameter holes first
2. Drill 50 mm diameter hole second

tallonsystems.com

